

SD-606-US

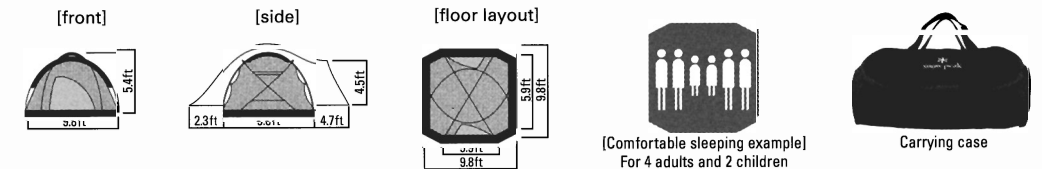
LANDBREEZE



This standard 6 person dome tent provides a comfortable bedroom in the field.

This Dome Tent with its octagonal sleeping space has a 5'5" inside ceiling height, and the floor is almost 97 square ft. This size can comfortably sleep 4 adults and 2 children, or 5 - 6 adults. The 4 pole-structure framework boasts an exceptionally strong balance for supporting the tent. It promises sleeping comfort with its numerous functions, including waterproofing, and superior ventilation.

■ **The comfortably functional 4-pole frame Landbreeze accommodates five to six people.**



UV coating	Polyester taffeta	Floor Polyester ox
※1	75D ※2	210D ※2

※1 UV protection treatment is carried out on the fly sheet material. The UV protection treatment will lessen the permeation of ultraviolet rays which are harmful to humans, and slowdown the deterioration of the material's strength. The UV protection treatment does not completely prevent the influence of ultraviolet rays on humans or stop the deterioration of the strength of the material.

※2 Combination of Nylon Taffeta and Polyester Taffeta is used for the product. Taking the materials' characteristics into consideration, we adopted processing and color patterns which will cause less color migration, however, depending on storage conditions, slight color migration may occur. Do not store the product whilst it is wet.

■ **contents of set**
Flysheet, Inner Tent, Long pole (×2), Short pole (×2), duralumin peg (63/4"×23), Rope with stopper (8'3"×4, 6'7"×2, 4'11"×2, 2'4"×4), seam sealant, pole case, peg case, repair pipe, carrying case, instruction manual

■ **descriptive label**

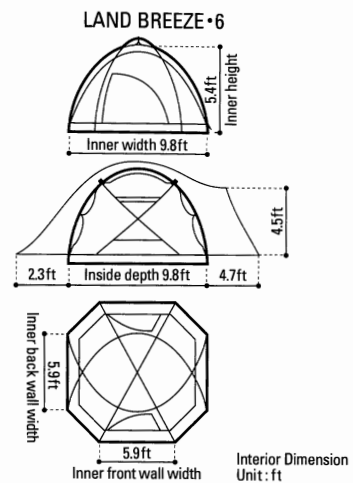
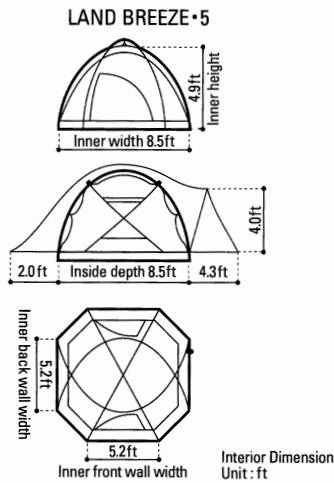
- **Material**
Flysheet : 75D polyester taffeta • 70D nylon taffeta • PU coating • FR coating • UV coating • FR coating
Inner tent : 68D polyester taffeta
Floor : 210D polyester ox • PU coating • FR coating
Pole : Ultra light duralumin A7001
- carrying Case Size (Stowed) / 2'3"×91/2"×91/2"
- Weight / 21.3 lbs

SD-606-US



MADE IN CHINA

Snow Peak U.S.A., Inc.
POBox 2002, Clackamas, OR 97015, U.S.A.
PH: (503)697-3330 FAX: (503)699-1396
www.snowpeak.com



Specifications
SD-605-US Landbreeze 5

- Materials
Fly Sheet: 70D Nylon Taffeta, 75D Polyester Taffeta, PU coating with min. 1800mm water resistant, UV protection treatment, FR treatment (early period water repelling 100%, after laundering 5 times, 90%)
Inner Wall: 68D Polyester Taffeta
Bottom: 210D Polyester ox, PU coating with min. 1800mm water resistant
Frame: Extra Super Duralumin A7001, ϕ 0.4inch (front room ϕ 0.35inch)
- Carry Bag Dimensions: 23.6×9.4×9.4 (h) inch
- Average Gross Weight: 18.7 lb (including Frame, Pegs, and Ropes)

Specifications
SD-606-US Landbreeze 6

- Materials
Fly Sheet: 70D Nylon Taffeta, 75D Polyester Taffeta, PU coating with min. 1800mm water resistant, UV protection treatment, FR treatment (early period water repelling 100%, after laundering 5 times, 90%)
Inner Wall: 68D Polyester Taffeta
Bottom: 210D Polyester ox, PU coating with min. 1800mm water resistant
Frame: Extra Super Duralumin A7001, ϕ 0.4inch (front room ϕ 0.35inch)
- Carry Bag Dimensions: 26.8×9.4×9.4 (h) inch
- Average Gross Weight: 21.4 lb (including Frame, Pegs, and Ropes)

Regarding Warranty

The specifications of Snow Peak products are determined based on field testing and quality control in order to ensure correct function and long-term use of the product. If apparent defects in the manufacturing are found, the defective product will be repaired or exchanged free of charge. The following types of damage are not covered under the warranty:

1. Damage from an unpredictable accident.
2. Damage caused by improper usage or rough handling.
3. Material deterioration from aging or the influence of ultraviolet rays.
4. Damage not caused by defects in the manufacturing process.
5. Damage to modified products.

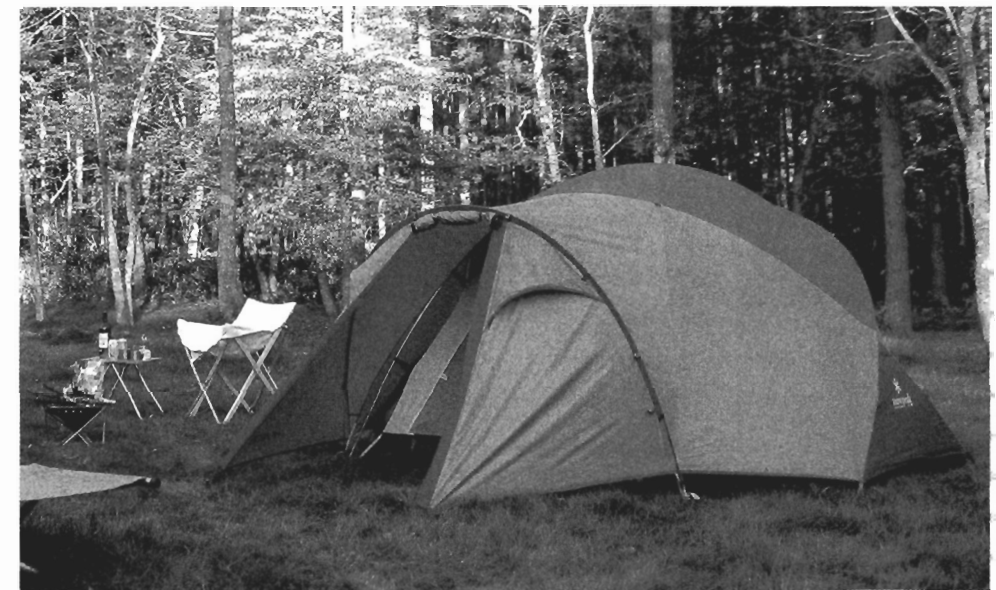
※Should you have any questions, please contact the dealer where the product was sold or our user service.

Snow Peak U.S.A., Inc.
POBox 2002, Clackamas, OR 97015, U.S.A.
PH: (503)697-3330 FAX: (503)699-1396
www.snowpeak.com

MADE IN CHINA

SD-605-US / LAND BREEZE • 5 SD-606-US / LAND BREEZE • 6

Instruction Manual



SD-605-US
SD-606-US

Thank you for purchasing this Snow Peak product.
Please read this instruction carefully before using. After reading, store this instruction in safe place.

Precautions

Sometimes you may face unpredictable situations in the field, and on some occasions, the situation may be beyond the capacity of the product. The following instructions do not cover all such dangerous occasions. Please get to know the capability of the product for safe camping.

Fire prevention

- The tent material is not flame-proof. Do not use combustion based heat sources such as lanterns, stoves or heaters, or naked flames such as matches, candles, lighters or cigarettes inside the tent.

The use of such combustion based heat or light sources inside the small closed space is very dangerous and may result in fire, oxygen deficiency or carbon monoxide poisoning.

- Do not keep fuel inside the tent or bring in flammable items for replenishing fuel.
- Do not bring in heated items when they are at high temperatures or eutermic items.
- Do not take highly heated objects or objects that emit heat into the tent.

Weather condition

- Pay close attention to the weather, and if bad weather is forecast, pack up camp and evacuate to a safe place.

• Ventilation is extremely restricted when the edge of the fly sheet is covered by sudden falls of snow or frozen under low temperatures. Remove the snow steadily or open the door often to keep sufficient ventilation.

- This product does not have the specifications necessary for long-term permanent use.

Setting up Site

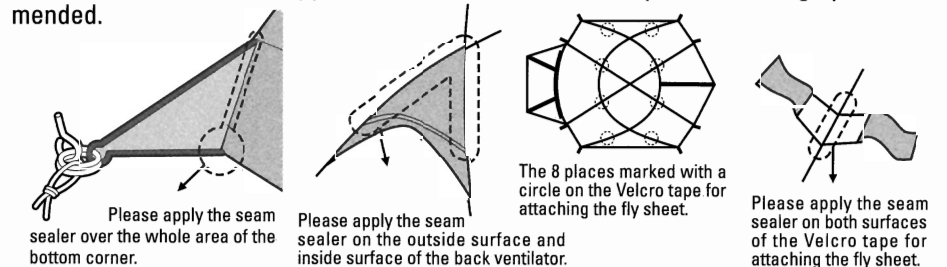
- Choose a well-drained flat area with firm ground where there is no chance of wind gusts, avalanches, land slides or sudden flooding.
- Do not install or use the product near combustion based heat sources such as lanterns, ovens or heaters. Keep the tent at a sufficient distance from such items to prevent fire even if they fall or are accidentally dropped.
- Do not install or use the product near bonfires or fireworks. In particular, if the product is located leeward to them, fire sparks may come into contact with the product causing hole damage on the material.
- If tree sap comes into contact with the product, it can't be cleaned off. Refrain from setting up the product under such trees withsap. The materials and/or the coating of the materials may be damaged if tree sap is removed using a solvent.
- Hold the frames firmly when installing and pulling down the tent. The edge of the frames may bounce and could cause injury. Make sure to keep a distance from other people to ensure safety.
- When in use, the product should be firmly fixed with pegs and tensioning lines.

For First Time Use

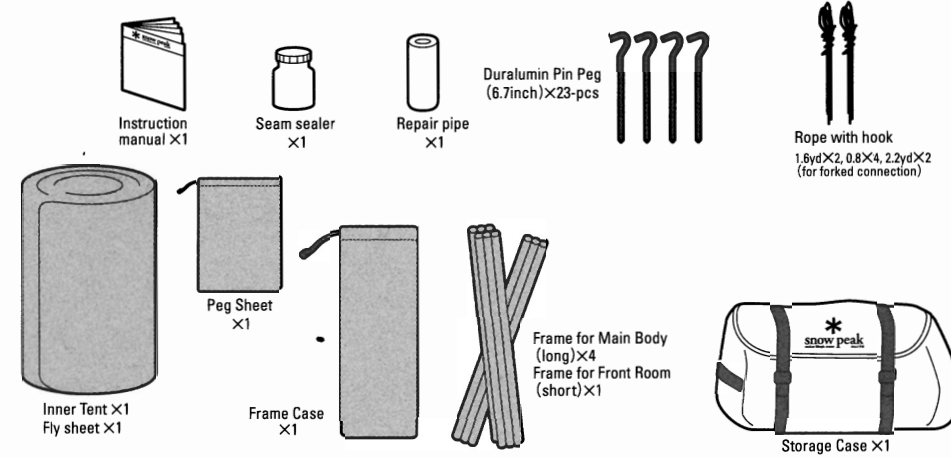
- We provide assurance that our product has been doubly checked for quality, however, please carry out a trial installation of the product before actual use and confirm the correct usage of the accessories and the setting up procedures. Any defects are found, please contact the dealer where the product was purchased or our user service.

Sealing with Seam Sealer

• Water-proof treatment with seam taping has been applied to the sewn areas, however, the ventilator and fasteners on the fly sheet and a part of the bottom sheet cannot be treated with the seam tape due to their inherent design. Though capable during periods of normal rain, long spells of heavy rain or driving rain, or contact with water pools on the ground, may result in the penetration of water along the sewed area. In such cases, the application of a seam sealer is recommended. Apply the seam sealer lightly on both sides along the sewed area and dry off completely. The seam sealer will be cured with time. As the seam sealer wears off, re-apply as necessary. We do not provide a sealing service. However, in order to maintain the tent in it's best condition, application of such seam sealer by the user is highly recommended.

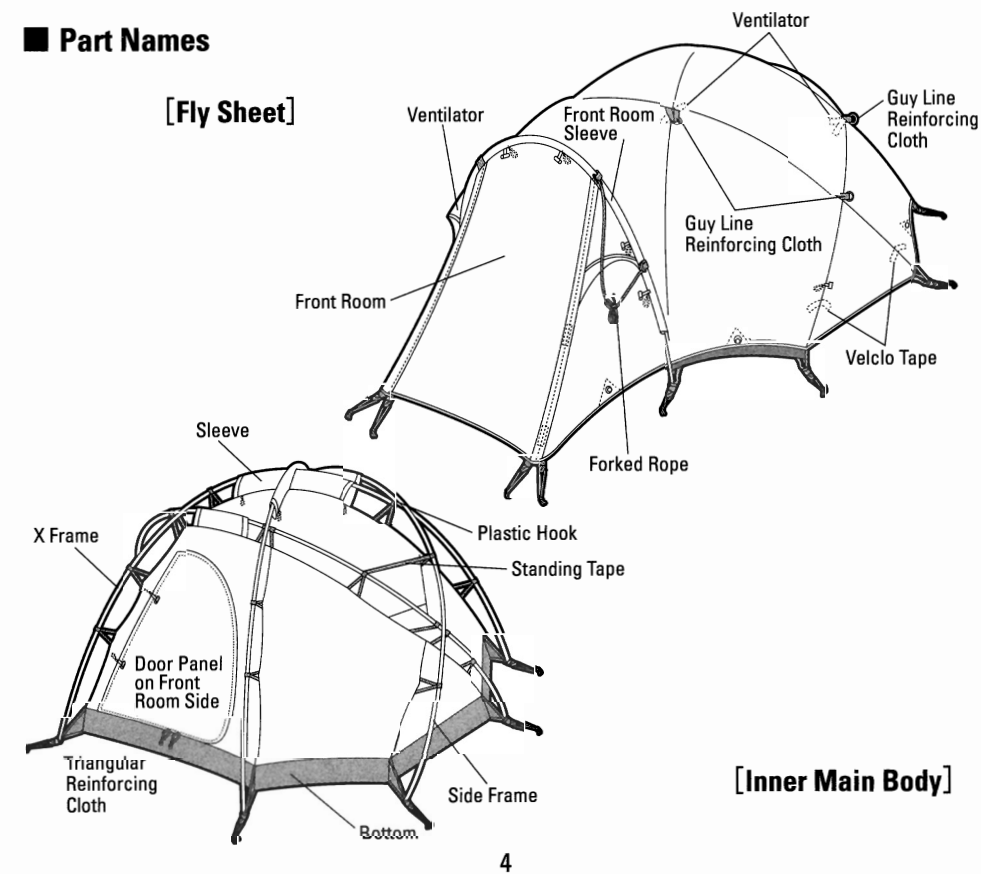


Contents of the package



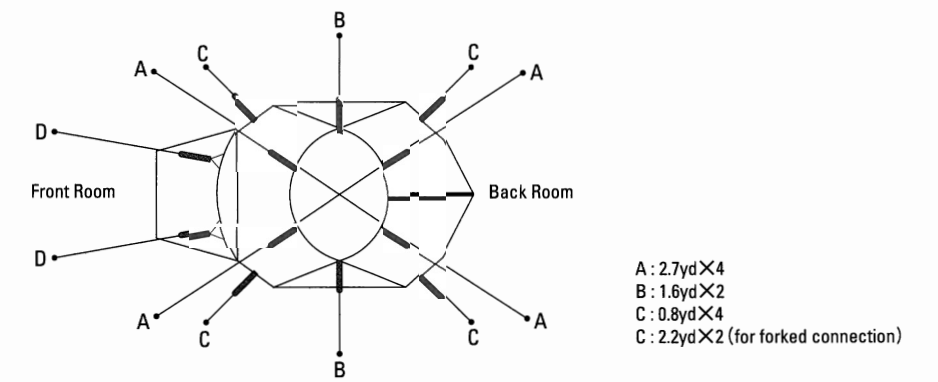
The contents of the set are based upon setting up camp under general conditions. If strong and long pegs and ropes are used, it is possible to make a flexible range of applications. The pegs and ropes with hooks are expendables, so it is strongly recommended that you always bring a long a spare set of these items.

Part Names



4

How to attach the tension lines onto the fly sheet



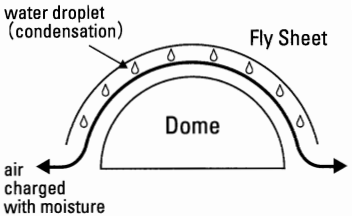
There are loops at the roof of the tent for hanging small items. Each loop can bear up to 1kg in weight.

Regarding Condensation

Mist is a collection of water droplets suspended in air which under rapidly falling temperatures turn into condensation. Particularly in smaller spaces such as the inside of a tent, the content ratio of water vapor becomes higher than that of an ordinary room, resulting in more frequent condensation.

Water which accounts for approx. 60% of the human body, is released through breathing and perspiration, causing the water vapor in the tent to increase resulting in condensation.

Inside the tent, condensation is especially common on materials having a high water-proof capacity such as the fly sheet or the bottom sheet. Depending on the surrounding conditions, it may be impossible to avoid condensation completely, even with the use of moisture permeable water-proof materials. Maintaining steady ventilation while using the tent is recommended to reduce condensation.



Procedure of Setting up the Dome

Make sure that two or more people take part in the setting up.

1) Spread the tent body on a flat area.

There are two entrances on the tent main body. The side which has the building tape is the front room side and will become the main entrance. It is necessary to decide the location of the front room according to the predicted wind and rain direction.

Typically the front room should face leeward. If the front room faces windward, not only wind and rain will blow into the room but also sudden strong gusts of wind may blow into the room when opening the door which can cause damage to the tent.

2) Extend 2 frames of the 3 main body frames which have yellow ends and connect them firmly.

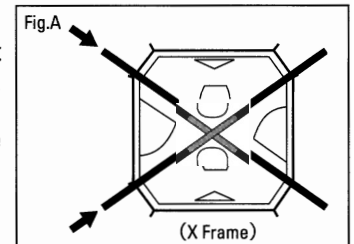
Make sure to connect them firmly without leaving gaps at the joints.

3) Insert the 2 frames into the sleeves with the yellow marks slowly one by one. (Hereinafter it is called as X frame.) (fig. A)

4) Extend the remaining frame for the main body (hereinafter called the side frame) and connect firmly. Make sure to connect firmly without leaving a gap at the joint.

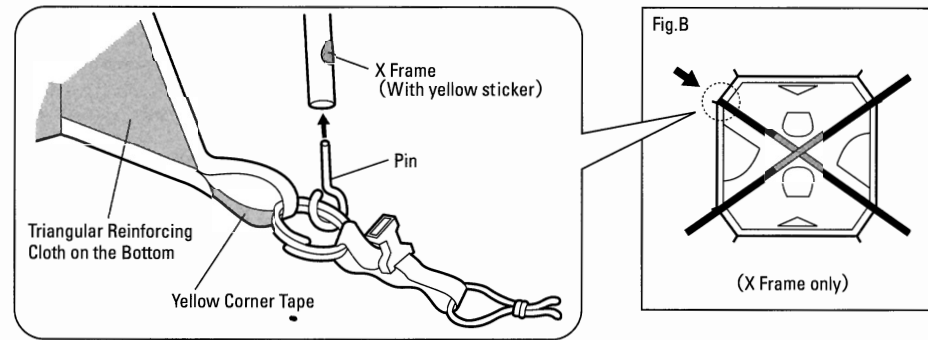
5) Insert the side frame slowly into the sleeve with the green mark. (fig. B)

The side frame should go over the X frame. (fig. C)

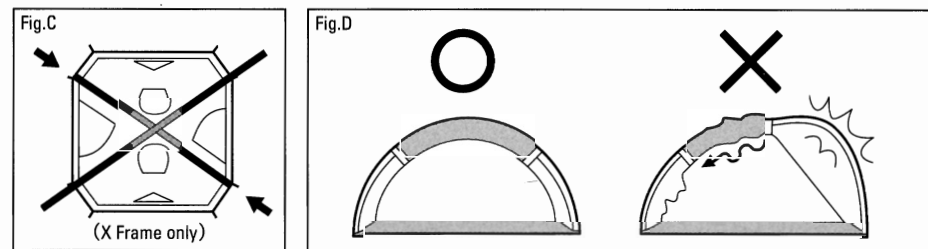


5

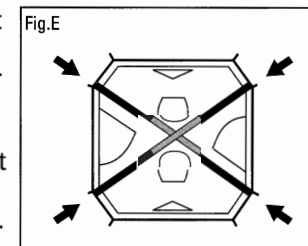
4) Insert a pin into one end of X frames. (Corner tape for the X frame is yellow.) (fig. B)



5) Insert the additional pin to the other end of the X frame which is located on the diagonally opposite side of the first end. (fig. E)
Insert the pin slowly into the frame end while adjusting so as to position the sleeve at the center. If the pin is forced in with too much force from one side, the other side may curve widely causing damage to the frame. (fig. D) Communicate vocally with the person on the receiving side during this procedure.

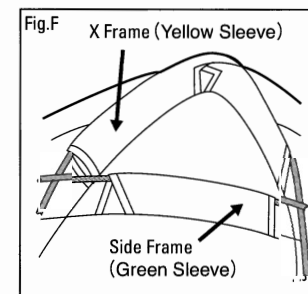


6) Repeat the above procedure with the other X frame and lift up the tent. (fig. E)
Keep the door panel and side panel half open so that air can enter the room to aid lifting of the tent.

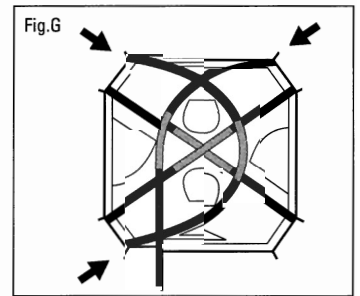


7) Extend the Green end frame (w/cross frame) and connect firmly. (1-pcs)
Make sure to connect firmly with leaving a gap at the joint.

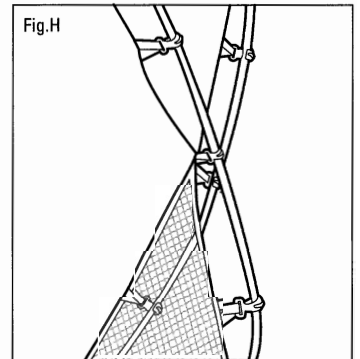
8) Push W cross frame into the Green Sleeves slowly. W cross frame should be over the X frame. (fig. F)



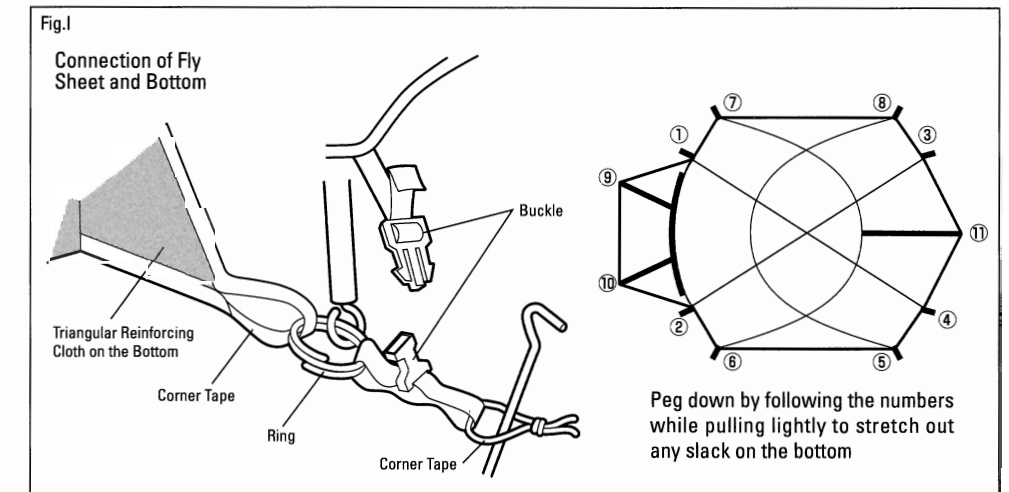
9) Insert the pins into both ends of the side frame. (fig. G)



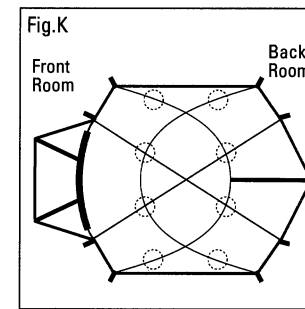
10) Attach all the plastic hooks of the main body to the corresponding frames. (fig.H)



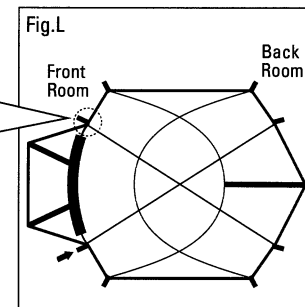
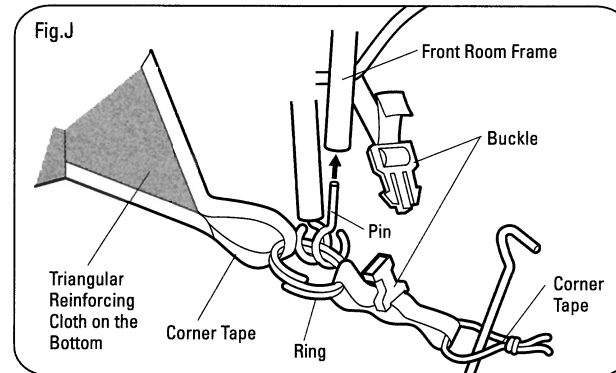
11) Close the fastener of both door panels front and back. Then insert pegs into the loops at the 6 ends of the corner tapes. Peg down by following the numbers while pulling lightly to stretch out any slack on the bottom. (fig. I)
Peg down all the way. Do not use undue force which may bend or break the pegs when pegging down. Hammer gradually and if you find any obstacles such as stones, change the entrance point of the peg.
If the fastener is open when pegging down, the door may not close later.



- 12) Check the direction of the front and back rooms and lay the fly sheet in place. (fig. K)
 Velcro tape is attached to the inside of the fly sheet (at the cross section of the frame and at the guy line reinforcing cloth) to keep the fly sheet in place. Wind the Velcro tape around the frame for use. When pulling down the tent, make sure to remove the Velcro tape. If the fly sheet is pulled with force while the Velcro tape is still wound on the frame, the Velcro tape may be damaged. Make sure that the front roombuilding tape is connected.

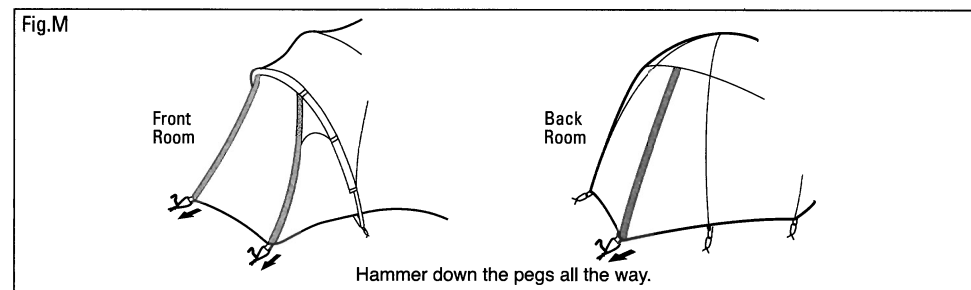


- 13) Extend the front room frame with the yellow ends and connect firmly. (1-pcs)
 Make sure to connect firmly without leaving a gap at the joint.
- 14) Push the front room frame into the sleeve of the front room fly sheet slowly and insert the pins into both ends of the frame. (fig. L)

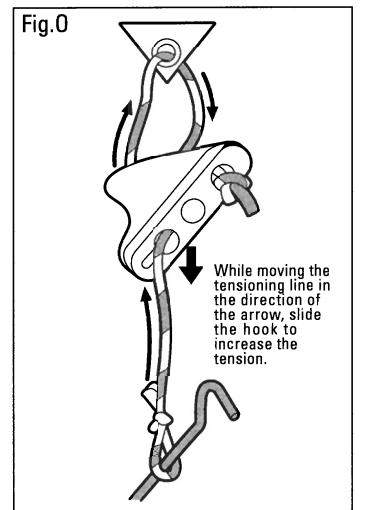
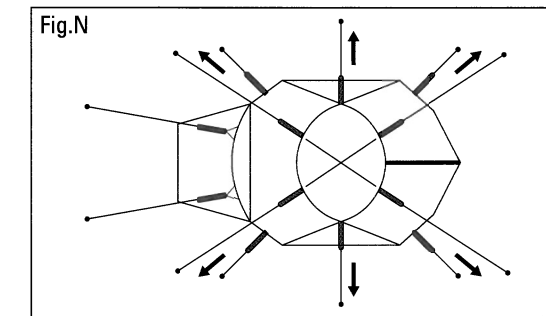


- 15) Connect the 8-pcs of buckle on the edge of the fly sheet to the buckles on the bottom rings. After connection of all buckles, pull the tape for tensioning to unruffle the fly sheet. (fig. J)
 Do not pull the tape too much. Excessive pulling may cause damage to the fly sheet.

- 16) Attach the plastic hook of the front room side door corner to the ring. (fig. M)




- 17) Pull the edges of the front and back rooms and then insert the pegs into the rubber loops and hammer down. (fig.N)
 Do not pull too much. Excessive pulling may overload the fastener and cause damage.



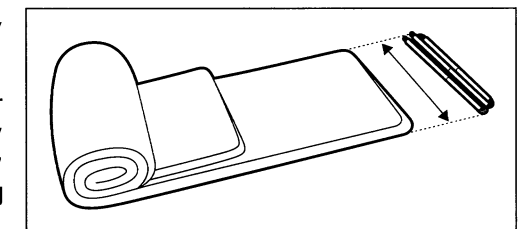
- 18) Stretch each tensioning line and peg down. (fig. O)

■ Storage Precaution

- When pulling down, connect the front room building tape to start the work. (fig. K)
- When removing the frame from the pins, the frame may bounce back. Use your hands to keep the frame steady until the frame straightens.
- When removing the side frame and X frame from the pins, keep the plastic hooks in place. (Remove the plastic hooks only after all the frames have been removed from the pins.)
- When removing the frame from the sleeve, push the frame out. If the frame is pulled out, the frame may be disconnected inside the sleeve. Always push the frame off. Disconnection of the frame may cause damage to the cloth. The disconnected joints may cause damage to the cloth.
- Fold the frame from the centre to the edge. 
 If folded from the edge, the shock cord may be overloaded and may cause elongation or breakage.
 If elongation occurs, the cord will lose the power to hold the frame in place which could cause the frame to break. Check the tension of the shock cord on a regular basis.

■ How to store the Dome in the case

- ① Fold the main body and the fly sheet according to the length of the carry bag, and place them in it.
- ② Store the frames and the pegs in their cases then place the cases in the carry bag. If they are placed naked in the carry bag, the main body cloth or the carry bag itself may be damaged.

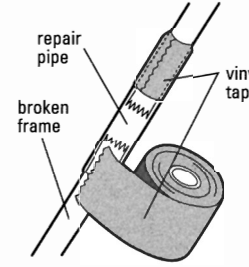


For Long Term Use

The excellent quality of Snow Peak products can be maintained with the correct handling and proper maintenance. In order to keep the product's functionality, please follow the instructions below.

Emergency Measures

- Due to unforeseen circumstances, the frames or the main body cloth may be damaged. Make sure to carry repair goods (packing tape, vinyl tape, pipes which can be used as splints, etc.) and perform emergency repairs if necessary. If any damage is left untreated, larger scale repair may become necessary later or may even result in the damaged part becoming irreparable. In order not to add to any damage, seal the damaged area with packing tape on both sides or pull down the product.
- If the main body cloth is cut or punctured, seal the area with packing tape on both sides or pull down the dome in order to prevent the damage from increasing.
- If the frame is broken, use a repair pipe or splint and fix with vinyl tape or pull down the dome.



Water-Repellent and Water-Proof Functions

- A Combination of Nylon Taffeta and Polyester Taffeta are used for this product. Both materials are given a high quality water-repellent finish, however, due to the materials' characteristics, their water-repellent capacity (the level of and their durability thereof) may vary slightly.
- The water-repellent finish will lose its level of effectiveness after repeated use. When the materials' capacity to repel water decreases, please use a water-repellent spray which can be purchased on the open market. When using such sprays, please follow the product's instructions.
- Materials with a high water-proof capacity are used in this product; however, if the materials come in contact with water pools on the ground for long periods of time, the water may sink into the material leaving a discolored spot.
- The PU coating may be damaged by such things as chemical fertilizers, reducing the water repellent level. Note that if it is determined that this sort of symptom exists, it may become impossible to guarantee the product.
- The logo mark may come off due to the presence of powerful water repellent materials.

Regarding the Effect of Ultraviolet Rays

- UV protection treatment is carried out on the fly sheet material. The UV protection treatment will lessen the permeation of ultraviolet rays which are harmful to humans, and slow down the deterioration of the material's strength. The UV protection treatment does not completely prevent the influence of ultraviolet rays on humans or stop the deterioration of the strength of the material.
- When the tent material is exposed to the sun light for long periods of time, color degradation or strength deterioration such as material deterioration may occur. Do not use the product as a permanent setting.
- If the material deteriorates due to the influence of ultraviolet rays and is damaged beyond its durability, it may become irreparable.

Maintenance / Storage

- Combination of Nylon Taffeta and Polyester Taffeta is used for the product. Taking the materials' characteristics into consideration, we adopted processing and color patterns which will cause less color migration, however, depending on storage conditions, slight color migration may occur. Do not store the product whilst it is wet.
- Before storage, the frame should be cleaned and dried sufficiently. The build up of mold, bad odor, color migration and material deterioration will occur if the product is stored when wet. Dry the product sufficiently in a breezy shaded area and clean the surface with a soft brush before storage.
- Clean and dry the surface of the poles before storing. If left wet, corrosion may occur, resulting in strength deterioration. Keep the joints clean and apply small amounts of silicone lubricant. Applying too much lubricant will stain the cloth. Also the shock cord inside the frame should not be pulled unnecessarily.
- Store the product in a breezy shaded area, away from heat and moisture. Use of the fastener when covered with mud, sand or dust may cause wear or damage. Clean the fastener with a brush before use. Apply small amounts of a silicone lubricant agent on a regular basis in order to allow for the smooth movement of the slider. Do not apply too much lubricant as it will leave stains on the cloth.
- Slight damage to the cloth can be repaired with repair tape available on the open market. Refer to the instructions for the use of such repair tape.
- Depending on the conditions of use, the material may deteriorate over a wide area and lose its durability to such an extent that it is beyond repair.
- For future use, check and maintain the product including the accessories such as the pegs regularly.
- Do not turn it upside down with the frame attached, as this could cause damage to the frame and the material.
- The seam tape has a PU coating that was applied to withstand a certain amount of heat, but it may come loose from repeated use. If it is determined that the seam tape has come loose, use a warm iron to press it back into place. Please be careful not to use an iron that is too hot, because it will cause change color and deterioration of the material. Do not pull the seam tape off forcibly, because the PU coating may come off with the seam tape, making repair impossible.

Setting up Site

- If professional repair is necessary, please contact the dealer where the product was sold or our user service.
- Please dry and clean the product before sending the product for repair.
- Please stick a memo on the damaged area of the product to show the damage clearly. Also, please include a memo explaining details of the circumstances that led to the damage.
- Cost of the repair will be borne as follows:
 1. If the damage is subject to warranty, transportation cost (both ways) and repair cost will be borne by us.
 2. If the damage is not subject to warranty, transportation cost (both ways) and repair cost will be borne by the customer.